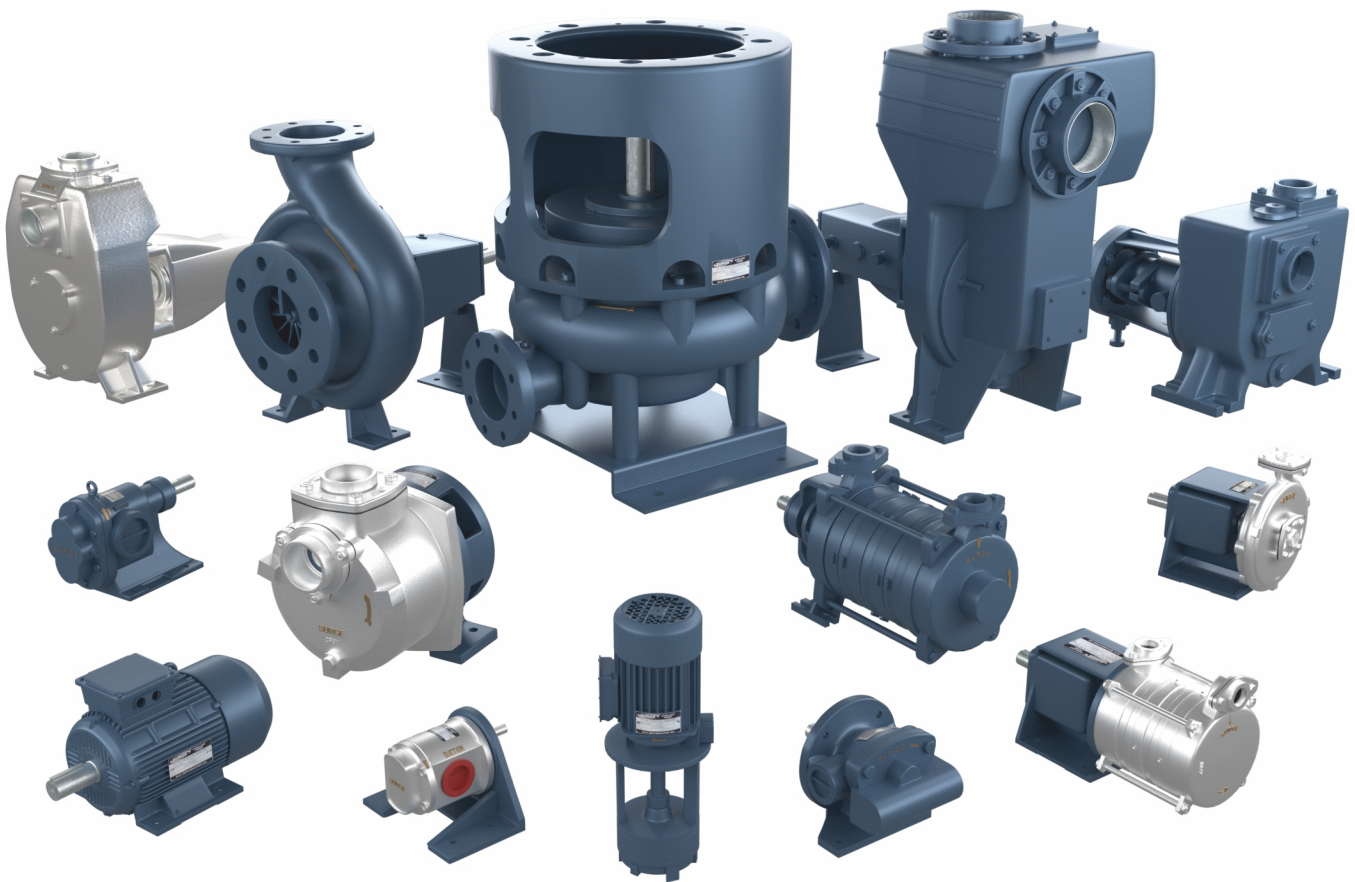




INDUSTRIAL PUMPS



Industrial Pumping Solutions

Welcome to the
Industrial Pumping Solutions

Designed today, reliable pumps with the vision of tomorrow.
Making a commitment to quality, enhancing what is pure,
reformulating efficiency, in reverence of technology,
surrendering to infinity.

**PROVEN BY PRODUCT
EXPERTS BY EXPERIENCE**

Having marked the inception of the company in the year 2006, Setu Industries has been built with the vision of superior quality, impeccable design and the promise of perfection for years to come. Catering to your experiences of industrial pumping, we work towards creating premium industrial pumping solutions with quality and aesthetics.

Equipped with a skilled in-house team of people to cater to different aspects of one product. Ranging from designers to technicians to manufactures and quality control experts, we are a family that strives for high performance and quality. Backed with experience worth 40 years in the field of industrial, domestic, agriculture pumps and motors manufacturing, we understand the nitty gritty of creating products and services that are high in quality, aesthetics and performance. Bringing to you the newest technological development of the market that enhances your productivity and profitability with their mechanically robust and hydraulically efficient design. Maintaining international standards in our manufacturing, we are determined to only serve the best.

SURGE INDUSTRIAL PUMPS are the perfect amalgamation of innovation, aesthetics and experience design that posses the power to meet your industrial pumping requirements in an effortless manner.



PUMP CATEGORY

SP | SP-SS | SEJ



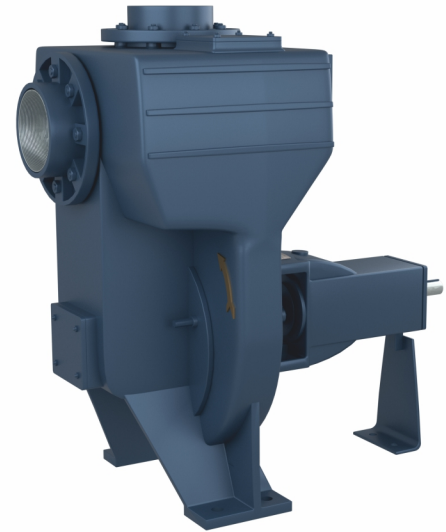
SP MUD SELF PRIMING PUMPS

TECHNICAL SPECIFICATIONS

Types	: Bare Shaft Pumps (Gland & Seal Type) Motor Coupled Pump Sets (Gland & Seal Type) Engine Coupled Pump Sets (Gland & Seal Type) Monoblock Pump Sets (Gland & Seal Type)
Motor Hp (Kw)	: 1.00 (0.75) to 30.00 (22.00)
Engine Hp	: 8.00 to 32.00
Pipe Size (mm)	: 40 X 40 to 150 X 150
Speed (Rpm)	: 1440 & 2800
Head (Mtrs)	: Up to 44
Discharge (Lps)	: Up to 71
Solid Handling Size (mm)	: Up to 40

APPLICATIONS

- Industry
- Public Utilities
- Waste Treatment
- Mobile Machinery
- Construction Industry
- Agriculture & Marine



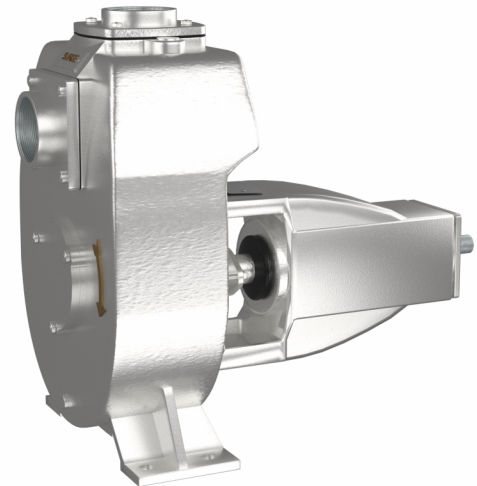
SP-SS MUD SELF PRIMING PUMPS

TECHNICAL SPECIFICATIONS

Types	: Bare Shaft Pumps (Gland & Seal Type) Motor Coupled Pump Sets (Gland & Seal Type)
Motor HP (kW)	: 2.00 (1.50) to 10.00 (7.50)
Pipe Size (mm)	: 40 X 40 to 80 X 80
Speed (rpm)	: 1440 & 2800
Head (mtrs)	: Up to 36
Discharge (lps)	: Up to 18
Solid Handling Size (mm)	: Up to 14.5

APPLICATIONS

- Marine
- Industry
- Public Utilities
- Food Processing
- Waste Treatment
- Mobile Machinery



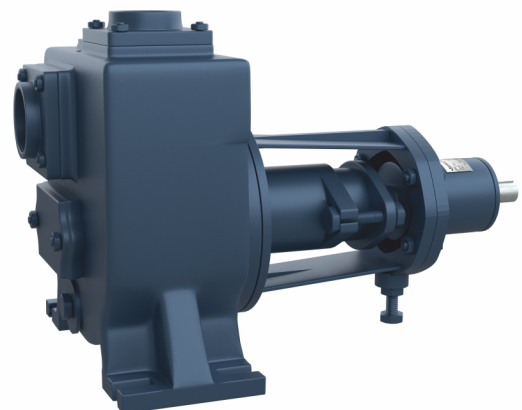
SEJ MUD SELF PRIMING PUMPS

TECHNICAL SPECIFICATIONS

Types	: Bare Shaft Pumps (Gland & Seal Type) Motor Coupled Pump Sets (Gland & Seal Type) Monoblock Pump Sets (Gland & Seal Type) Z Type With Motor Pump Sets (Seal Type)
Motor HP (kW)	: 0.50 (0.37) to 5.00 (3.70)
Pipe Size (mm)	: 40 X 40 to 80 X 80
Speed (rpm)	: 1440 & 2800
Head (mtrs)	: Up to 20
Discharge (lps)	: Up to 19
Solid Handling Size (mm)	: Up to 23

APPLICATIONS

- Industry
- Marine
- Safety
- Agriculture
- Civil Engineering
- Mobile Machinery



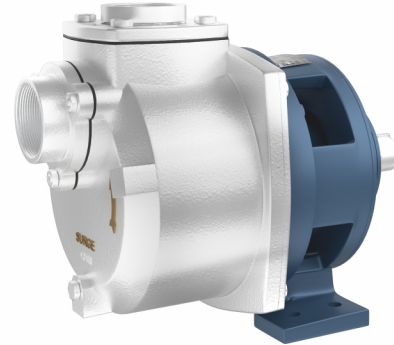
SCA MUD SS SELF PRIMING PUMPS

TECHNICAL SPECIFICATIONS

Types	: Bare Shaft Pumps (Seal Type) Motor Coupled Pump Sets (Seal Type) Z Type Bare Shaft Pumps (Seal Type) Z Type With Motor Pump Sets (Seal Type)
Motor HP (kW)	: 1.50 (1.10) to 3.00 (2.20)
Pipe Size (mm)	: 40 X 40 to 50 X 50
Speed (rpm)	: 2800
Head (mtrs)	: Up to 24
Discharge (lps)	: Up to 7

APPLICATIONS

- Dairy
- Marine
- Pharmaceutical
- Food Processing
- Fertilizer
- Beverage
- Petrochemicals
- Corrosive Liquids



SCP COOLANT PUMPS

TECHNICAL SPECIFICATIONS

Types	: Monoblock Pumps
Motor HP (kW)	: 0.16 (0.12) to 1.00 (0.75)
Pipe Size (mm)	: 15 to 32
Speed (rpm)	: 2800
Immersion Depth (mm)	: 120 to 440
Stages	: 1 to 3
Head (mtrs)	: Up to 20
Discharge (lpm)	: Up to 250

APPLICATIONS

- Machining
- Refrigeration
- Temperature Control
- High Pressure Cooling



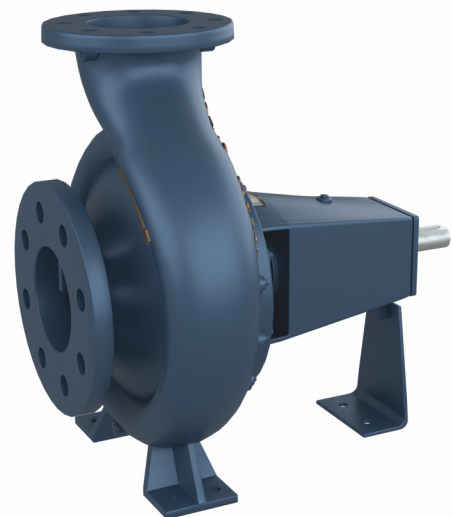
SB BACK PULL OUT PUMPS

TECHNICAL SPECIFICATIONS

Types	: Bare Shaft Pumps (Gland & Seal Type) Motor Coupled Pump Sets (Gland & Seal Type) Z Type Bare Shaft Pumps (Seal Type) Z Type With Motor Pump Sets (Seal Type)
Motor HP (kW)	: 0.34 (0.25) to 187.74 (140.00)
Pipe Size (mm)	: 50 X 32 to 200 X 150
Speed (rpm)	: 1450 & 2900
Head (mtrs)	: Up to 98
Discharge (lps)	: Up to 152

APPLICATIONS

- Industry
- Engineering
- Water Supply
- Marine
- Irrigation
- Refrigeration
- Cooling Tower
- Water Circulation
- Fire Fighting Systems



PUMP CATEGORY

SEG | SEG-SS | SIG



SEG ROTARY GEAR PUMPS

TECHNICAL SPECIFICATIONS

Types	: Bare Shaft Pumps Motor Coupled Pump Sets
Motor HP (kW)	: 0.25 (0.18) to 20.00 (15.00)
Pipe Size (mm)	: 10 X 10 to 80 X 80
Speed (rpm)	: 1440
Pressure (Kg/cm ²)	: Up to 10
Discharge (lpm)	: Up to 500

APPLICATIONS

“SEG” Series rotary gear pumps are useful for handling viscous and semi viscous liquids. Rotary gear pumps are widely used in

- Steel Mills
- Refineries
- Textile Industries
- Paper Mills
- Power Plants
- Stone Crusher Plants



SEG-SS ROTARY GEAR PUMPS

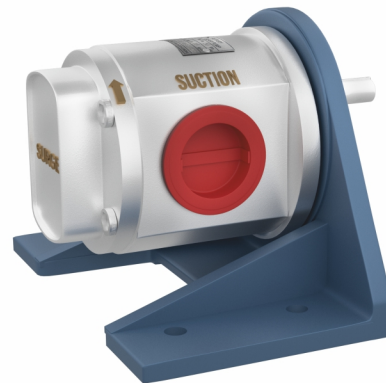
TECHNICAL SPECIFICATIONS

Types	: Bare Shaft Pumps Motor Coupled Pump Sets Z Type Bare Shaft Pumps Z Type With Motor Pump Sets
Motor HP (kW)	: 0.50 (0.37) to 12.50 (9.30)
Pipe Size (mm)	: 15 X 15 to 50 X 50
Speed (rpm)	: 1440
Pressure (Kg/cm ²)	: Up to 10
Discharge (lpm)	: Up to 200

APPLICATIONS

“SEG-SS” Series rotary gear pumps are useful for handling viscous and semi viscous liquids. Rotary gear pumps are widely used in industries like

- Textile
- Pharmaceutical
- Paper Mills
- Refineries
- Food Processing
- Steel Mills



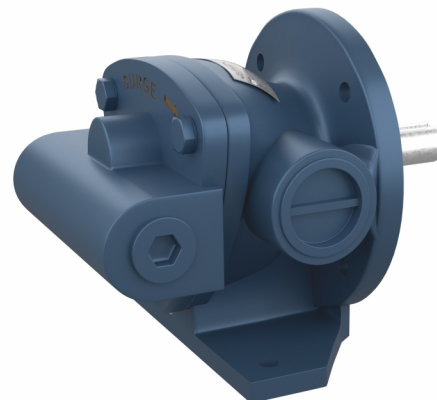
SIG ROTARY GEAR PUMPS

TECHNICAL SPECIFICATIONS

Types	: Bare Shaft Pumps Motor Coupled Pump Sets Monoblock Pump Set
Motor HP (kW)	: 0.25 (0.18) to 10.00 (7.50)
Pipe Size (mm)	: 15 X 15 to 40 X 40
Speed (rpm)	: 1440
Pressure (Kg/cm ²)	: Up to 10
Discharge (lpm)	: Up to 175

APPLICATIONS

“SIG” Series rotary gear pumps are used to handle Lubricating Oils, Fuel and Other Fluids which have lubrication properties. These pumps are ideally suited for handling viscous and semi viscous liquids which have no solid particles or dust.



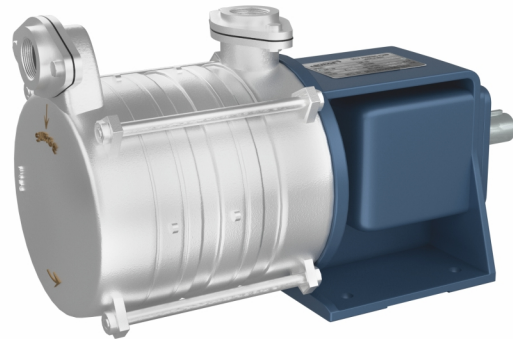
SSP SS SELF PRIMING PUMPS

TECHNICAL SPECIFICATIONS

Types	: Bare Shaft Pumps (Seal Type) Motor Coupled Pump Sets (Seal Type) Z Type Bare Shaft Pumps (Seal Type) Z Type With Motor Pump Sets (Seal Type) Monoblock Pump Sets (Seal Type)
Motor HP (kW)	: 0.50 (0.37) to 3.00 (2.20)
Pipe Size (mm)	: 25 X 25 to 32 X 32
Speed (rpm)	: 1440 & 2800
Head (mtrs)	: Up to 90
Discharge (lpm)	: Up to 70
Stages	: 1 to 3

APPLICATIONS

• Dairy	• Syrup
• Beverage	• Petrol
• Chemicals	• Diesel
• Petrochemicals	• Fertilizers
• Pharmaceutical	• Dm Water
• Food Processing	• Oil Refineries
• Corrosive Liquids	• Mineral Water
• Electroplating Solutions	• Organic Solvents



SCF SS CENTRIFUGAL PUMPS

TECHNICAL SPECIFICATIONS

Types	: Bare Shaft Pumps (Gland & Seal Type) Motor Coupled Pump Sets (Gland & Seal Type) Z Type Bare Shaft Pumps (Gland & Seal Type) Z Type With Motor Pump Sets (Gland & Seal Type)
Motor HP (kW)	: 1.50 (1.10) to 3.00 (2.20)
Pipe Size (mm)	: 25 X 25 to 50 X 50
Speed (rpm)	: 2800
Head (mtrs)	: Up to 25
Discharge (lpm)	: Up to 520

APPLICATIONS

• Dairy	• Distillery
• Dyeing	• Dm Water
• Beverage	• Chemicals
• Fertilizer Units	• Soft Drinks
• Bottling Plants	• Oil Refineries
• Paper Industry	• Mineral Water
• Sugar Industry	• Petrochemicals
• Pharmaceutical	• Organic Solvents
• Food Processing	• Corrosive Liquids
• Sea Water Application	• Water Treatment Plants
• Boiler Circulation System	• Electroplating Solutions
• Water Circulation System	• Acid and Alkali Solutions



PUMP CATEGORY

SSC | SV | SIM



SSC SELF PRIMING MULTI STAGE PUMPS

TECHNICAL SPECIFICATIONS

Types	: Bare Shaft Pumps (Seal Type) Motor Coupled Pump Sets (Seal Type)
Motor HP (kW)	: 1.00 (0.75) to 20.00 (15.00)
Pipe Size (mm)	: 25 X 25 to 65 X 65
Speed (rpm)	: 1440
Head (mtrs)	: Up to 140
Discharge (lpm)	: Up to 508
Stages	: 1 to 4

APPLICATIONS

- Irrigation
- Sprinkler
- Industry
- Ship Building
- Boosting Pressure
- Mining
- Marine
- Fuel Oil
- Fire Fighting
- Wash Down
- Boiler Feed Pumps
- Condensate Pumps
- Process Engineering
- Domestic Water Supply
- Hot & Cold Water Circulation



SV VERTICAL INLINE PUMPS

TECHNICAL SPECIFICATIONS

Types	: Bare Shaft Pumps (Seal Type) With Motor Pump Sets (Seal Type)
Motor HP (kW)	: 3.00 (2.20) to 12.50 (9.30)
Pipe Size (mm)	: 40 X 40 to 100 X 100
Speed (rpm)	: 1440 & 2800
Head (mtrs)	: Up to 48
Discharge (lps)	: Up to 32

APPLICATIONS

- Fire Pumps
- Water Supply
- Industrial
- Cooling Towers
- Irrigation
- Ship Building
- Liquid Transfer
- High Rise Building
- Cooling Systems
- Boosting Pump System
- Heating & Cooling Water Circulation



SIM INDUCTION MOTORS

TECHNICAL SPECIFICATIONS

Types	: 3 Phase Induction Motors 1 Phase Induction Motors
Efficiency Class	: IE 2
Insulation Class	: F
Motor HP (kW)	: 0.25 (0.18) to 20.00 (15.00)
Frame Size	: 63 to 160 L
Speed (rpm)	: 2800 (2 Pole), 1440 (4 Pole) & 960 (6 Pole)
Mounting	: Foot Mounted (B3), Flange Mounted (B5) & Face Mounted (B14)

APPLICATIONS

- Lifts
- Fans
- Hoists
- Gear Boxes
- Compressors
- Machine Tools
- Food
- Steel
- Sugar
- Cranes
- Cement
- Rolling Mills
- Paper
- Textile
- Pumps
- Rubber
- Printing
- Crushers
- Cooling Towers
- Pharmaceutical
- Plastic Machinery
- Domestic Floor Mills
- Agricultural Machinery
- Wood Working Machinery





Setu INDUSTRIES

OFFICE

Samrat Industrial Area Main Road,
Behind S.T. Workshop, Gondal Road,
Rajkot - 360004, Gujarat (INDIA)

093138 05690 / 91

WORKS

Plot No G-536, Road D/2, Kishan Gate,
Kalawad Road, GIDC Metoda,
Rajkot - 360021, Gujarat (INDIA)

02827 - 287198

GET IN TOUCH

sales@surgepumps.com
www.surgepumps.com

FOLLOW US ON

